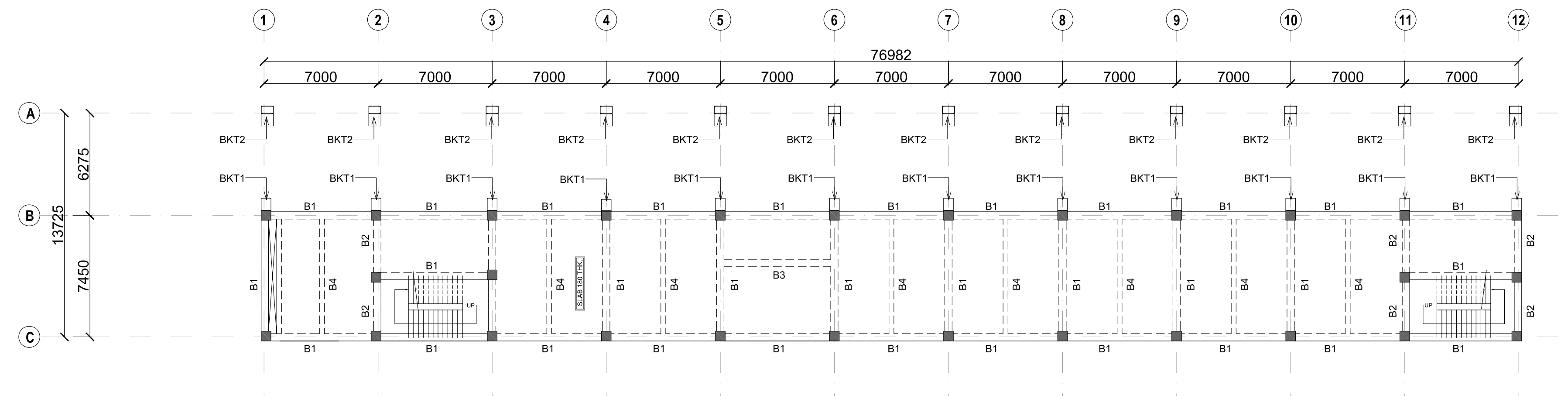


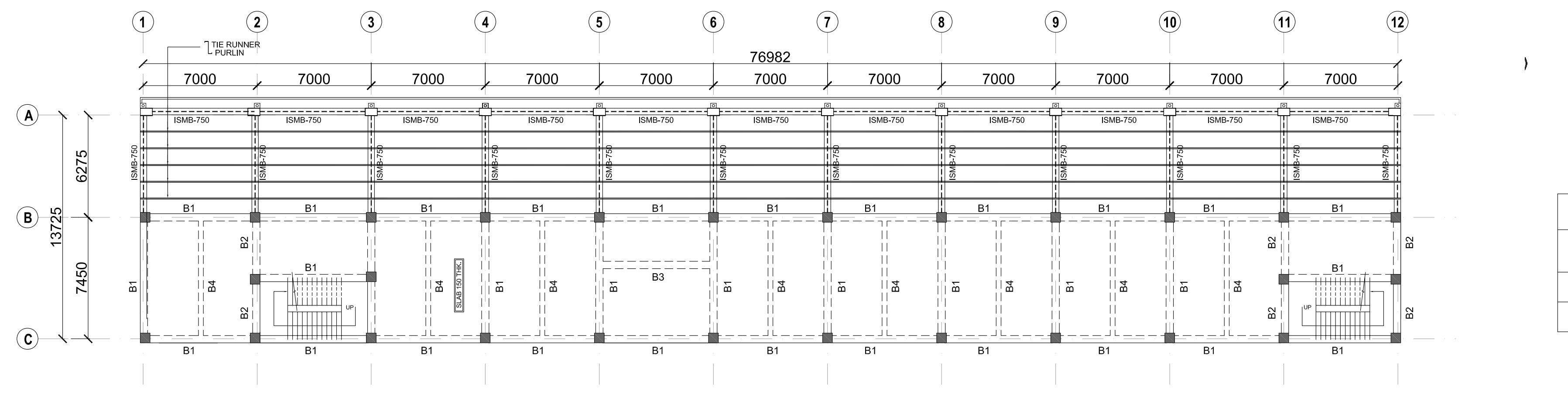
GROUND FLOOR PLAN FRAMING PLAN

NOTE:- ALL COLUMN SIZE ARE (600X600)
NOTE:- PEDESTAL (P1) 1000X1000 UPTO PLINTH LVL.



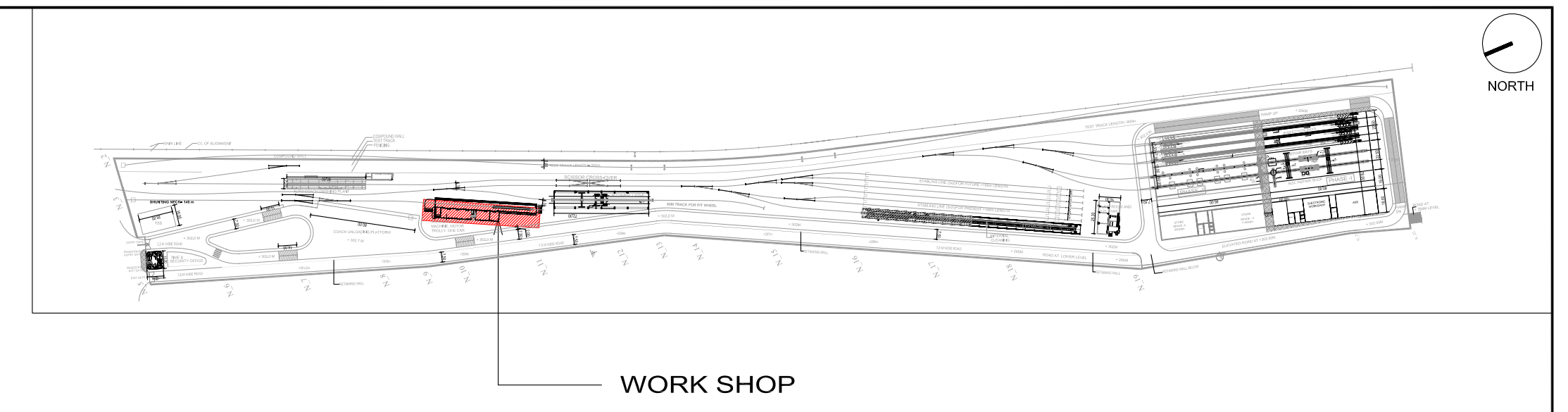
FIRST FLOOR PLAN FRAMING PLAN

NOTE:- ALL COLUMN SIZE ARE (600X600)



TERRACE FLOOR PLAN FRAMING PLAN

NOTE:- ALL COLUMN SIZE ARE (600X600)



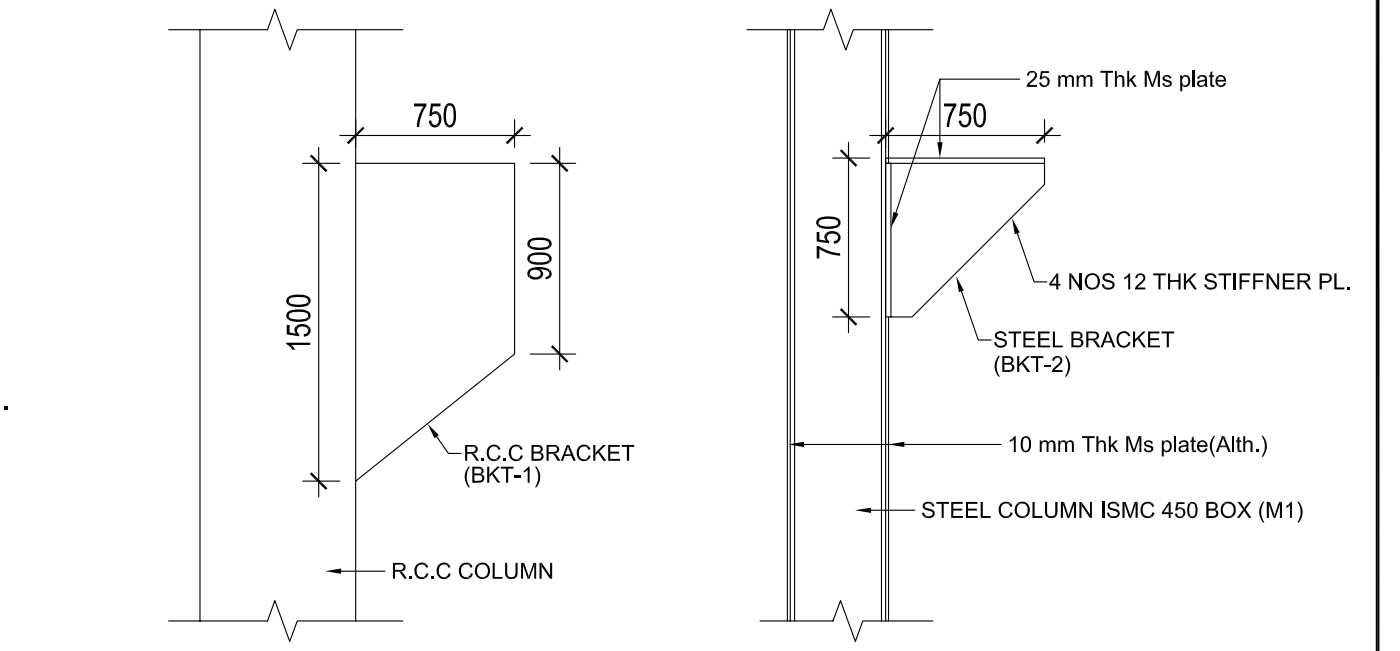
WORK SHOP

NOTE:-
* ALL COLUMN & BEAMS SIZES ARE TENTATIVE
* ALL LEVEL SHOULD BE CONFIRM WITH ARCH. DRGS.

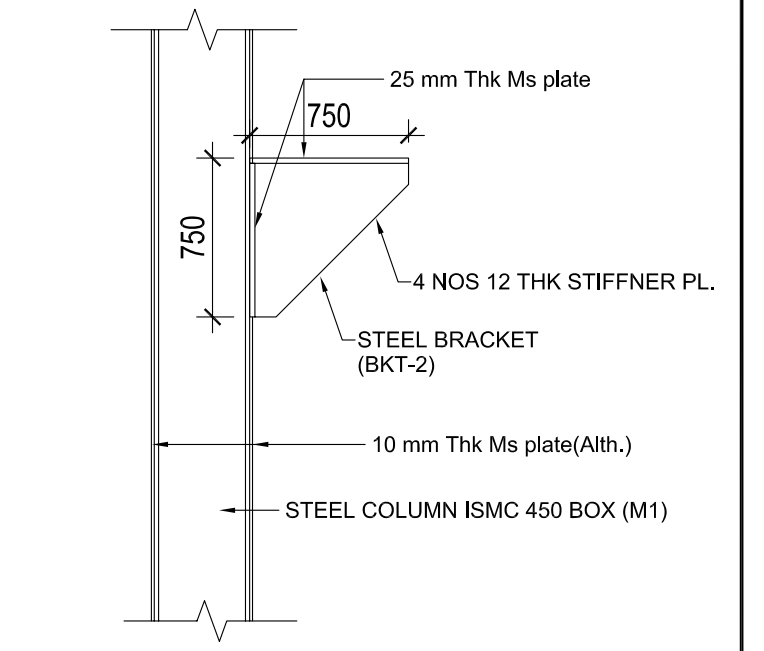
| BEAM SCHEDULE | |
|---------------|-----------|
| BEAM MARKED | BEAM SIZE |
| B1,B2 | (450X600) |

NOTE:-
* ALL COLUMN & BEAMS SIZES ARE TENTATIVE
* ALL LEVEL SHOULD BE CONFIRM WITH ARCH. DRGS.

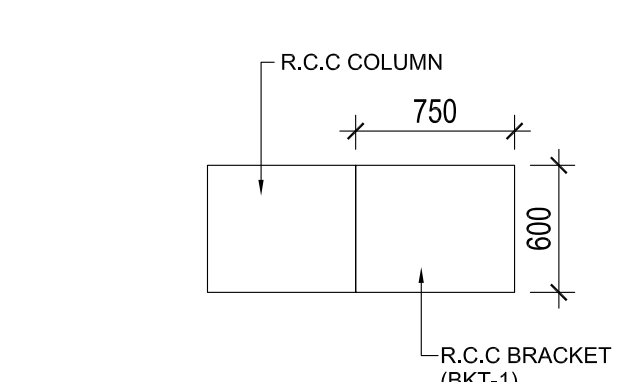
| BEAM SCHEDULE | |
|---------------|-----------|
| BEAM MARKED | BEAM SIZE |
| B1,B2,B3 | (450X600) |
| B4 | (300X600) |



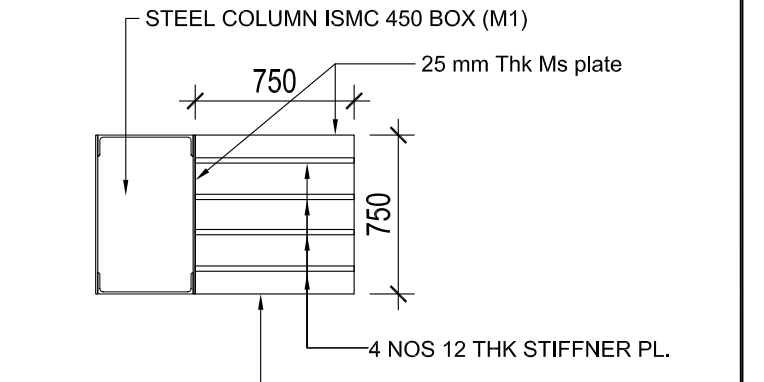
SECTIONAL DETAIL OF R.C.C BRACKET (BKT-1)



SECTIONAL DETAIL OF R.C.C BRACKET (BKT-2)



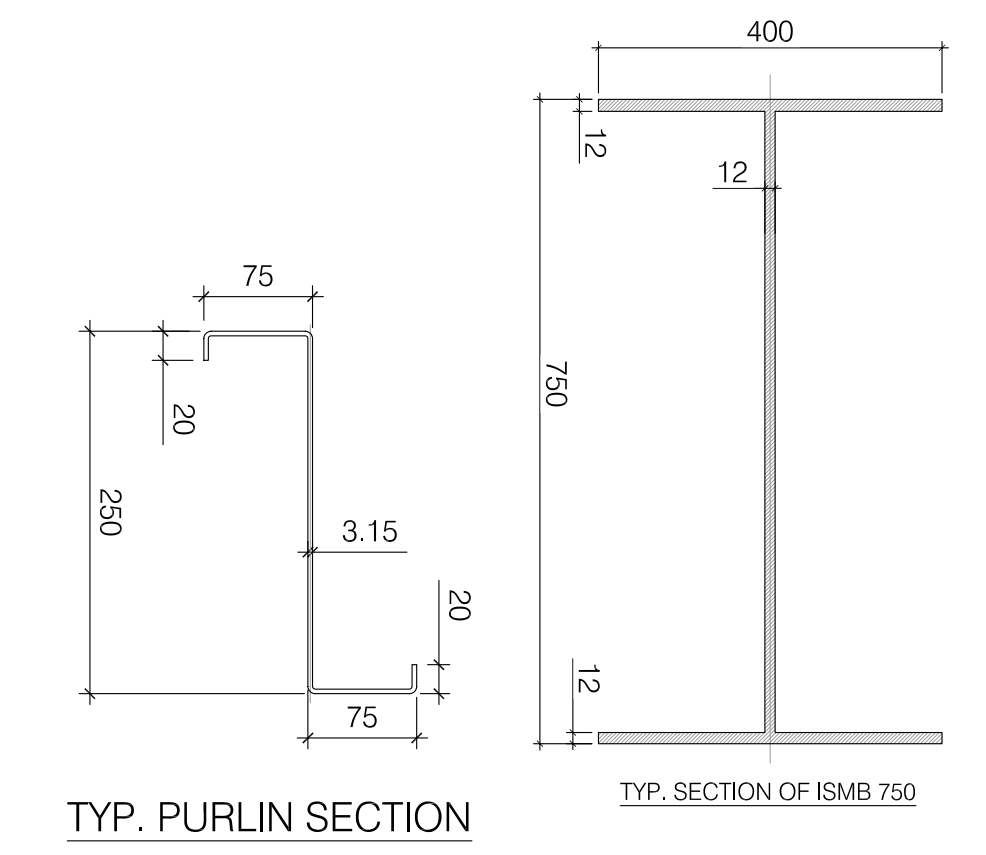
PLAN OF R.C.C BRACKET (BKT-1)



PLAN OF R.C.C BRACKET (BKT-2)

NOTE:-
* ALL COLUMN & BEAMS SIZES ARE TENTATIVE
* ALL LEVEL SHOULD BE CONFIRM WITH ARCH. DRGS.

| BEAM SCHEDULE | |
|---------------|-----------|
| BEAM MARKED | BEAM SIZE |
| B1,B2,B3 | (450X600) |
| B4 | (300X600) |



TYP. PURLIN SECTION

TYP. SECTION OF ISMB 750

GENERAL NOTES:

- ALL DIMENSIONS ARE IN MILLIMETERS & LEVELS ARE IN METERS UNLESS OTHERWISE STATED.
- ALL DIMENSIONS ARE TO BE READ AND NOT MEASURED.
- ANY DISCREPANCIES MUST BE BROUGHT TO THE NOTICE OF THE DMRC BEFORE EXECUTION OF WORK AT SITE.
- THIS DRAWING MUST BE READ IN CONJUNCTION WITH ALL RELEVANT ARCHITECTURAL, STRUCTURAL, PLUMBING & FIRE FIGHTING, ELECTRICAL AND TRAFFIC MANAGEMENT DRAWINGS.
- ALL DOOR/WINDOW CILL & LINTEL LEVELS ARE MEASURED FROM MAIN FLOOR FINISHED LEVELS.

| REFERENCE DRAWINGS | |
|--------------------|-------------|
| Drg. No. | Description |
| | |

| REVISIONS | | | | | |
|-----------|-------------|------|------|------|------|
| REV | DESCRIPTION | DRN. | CHD. | VER. | DATE |
| | | | | | |

| APPROVAL BY NMRCL | | | |
|-------------------|--------------|--------------|--------------|
| ARCHITECTURE | AM/Mgr | DY CA-III | CA |
| STRUCTURE | AM/Design | DY CE/DESIGN | ED/Technical |
| ELECTRICAL | AEME&M | DGM/E | CEE/UD |
| CIVIL | AGM/Civil | CE/General | |
| | AGM/Tele | CSTE | |
| | Fire Officer | | |

Certified that this document has been designed and checked in accordance with DDC Quality Assurance Plan.

OFFICE OF DRAWING ORIGIN:
FOUNTAINHEAD
ARCHITECTURE INTERIOR & LANDSCAPE
C-9/148, VASANT KUNJ, NEW DELHI
PH: 011-26891534, 26124540, 26124543. FAX: 26898459
Email: office@studiofountainhead.com

Authorised Signatory for DDC.
N1DDC D-01 Project Manager

STRUCTURAL CONSULTANT:
LKT Engineering Consultants Ltd.
63/12A, 1st floor, Main Rama road, Najafgarh road, industrial area, opposite Kirti nagar Metro Station, New Delhi-110015, Phone:- 011-4556814-18
info@lktengineering.com
http://www.lktengineering.com

NAGPUR METRO RAIL CORPORATION LTD.
Metro House, 28/2, Anand Nagar, C K Naidu Road, Civil Lines, Nagpur - 440001

N1DDC D-01

ROLLING STOCK DEPOT AT MIHAN

DRAWING TITLE: WORK SHOP - FRAMING PLANS

DRAWING NO: N1DDCD01-DPOM-T-ST-2601 REV: R0

| | | |
|--------------------------|-----------------|------------------------|
| DATE: 06.07.2016 | SCALE: 1:200 | STATUS: FOR TENDER |
| DRAWN BY: HIMANSHU TYAGI | CHECKED BY: H.S | VERIFIED BY: L.K.TYAGI |

STRUCTURAL

This drawing must not be either loaned, copied or otherwise reproduced in whole or in part or used for any purpose without the prior written permission of DMRC.