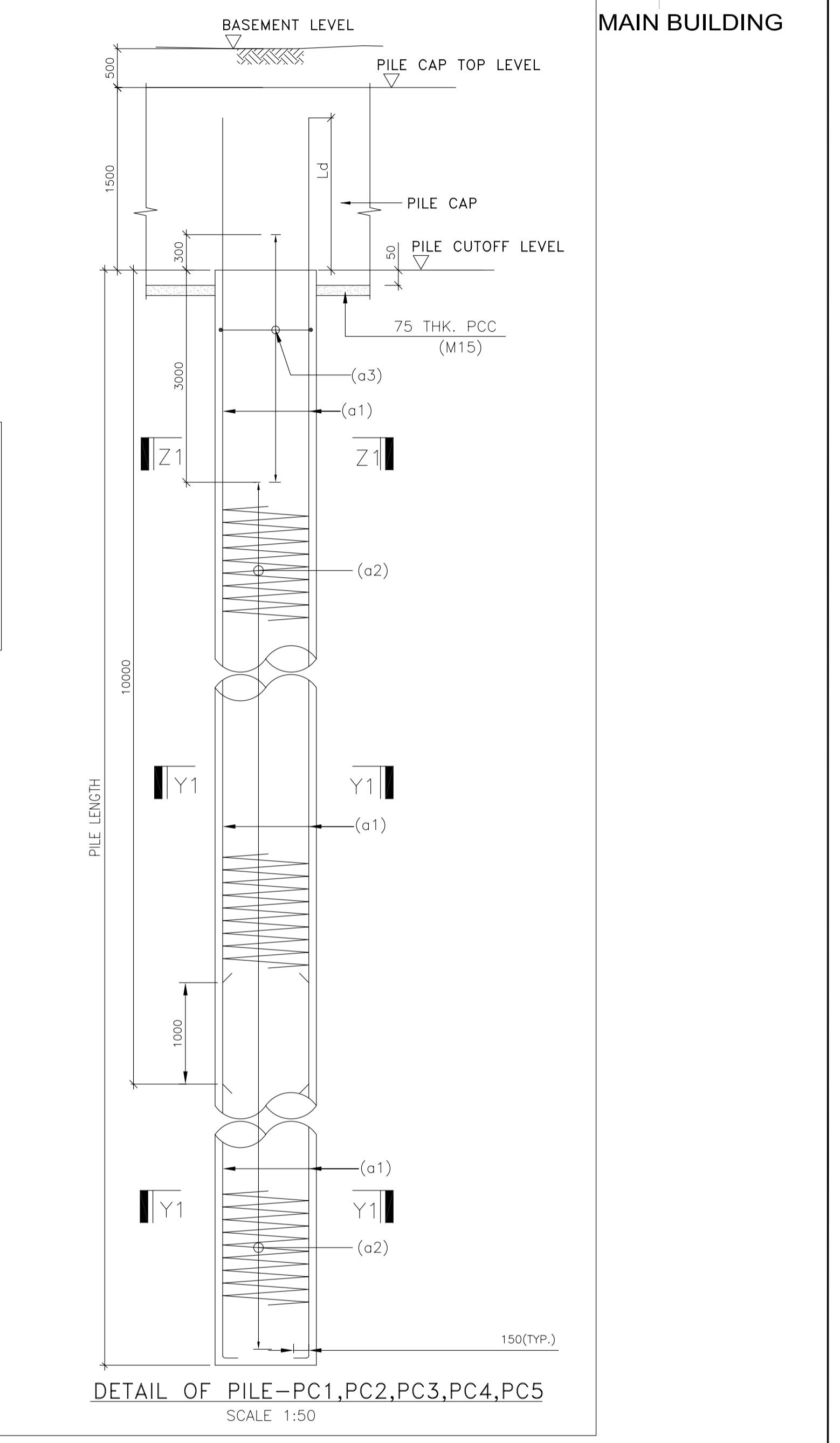
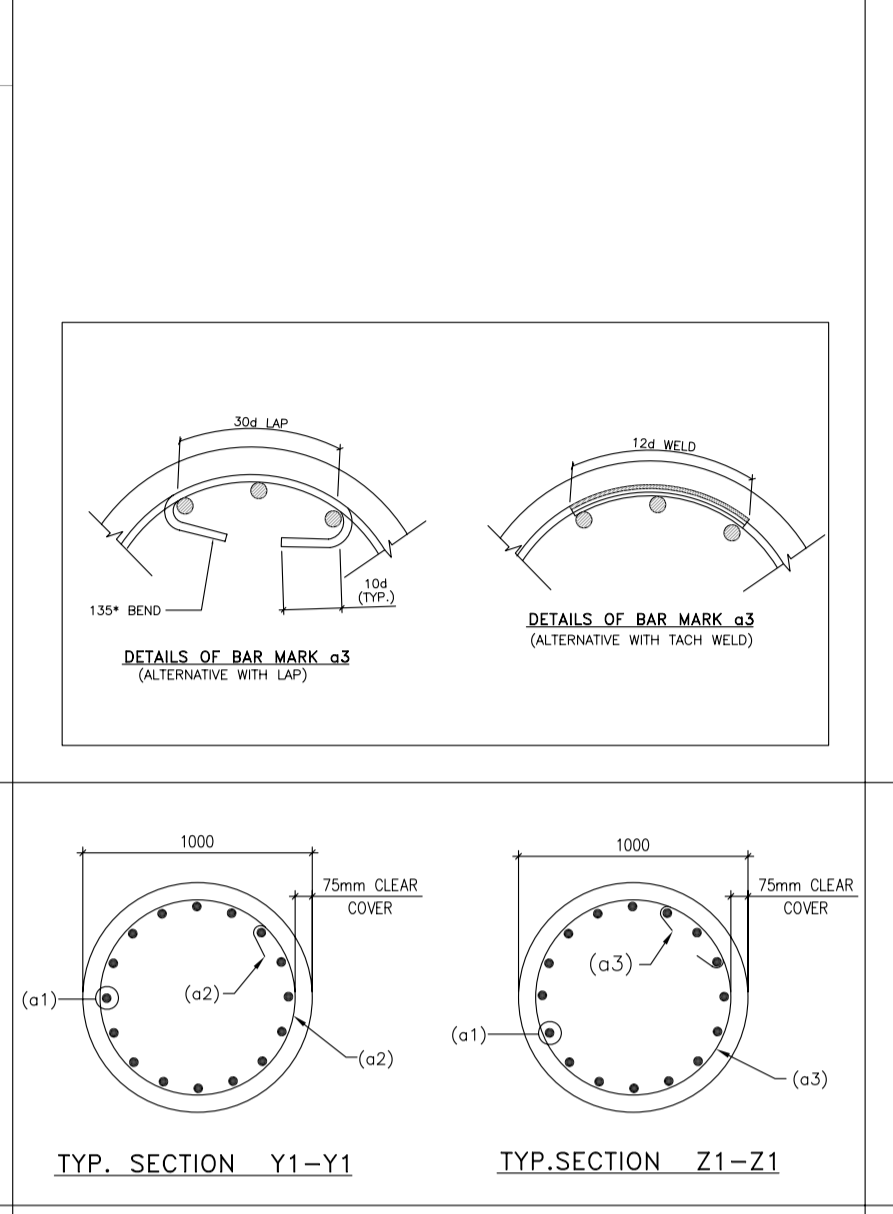
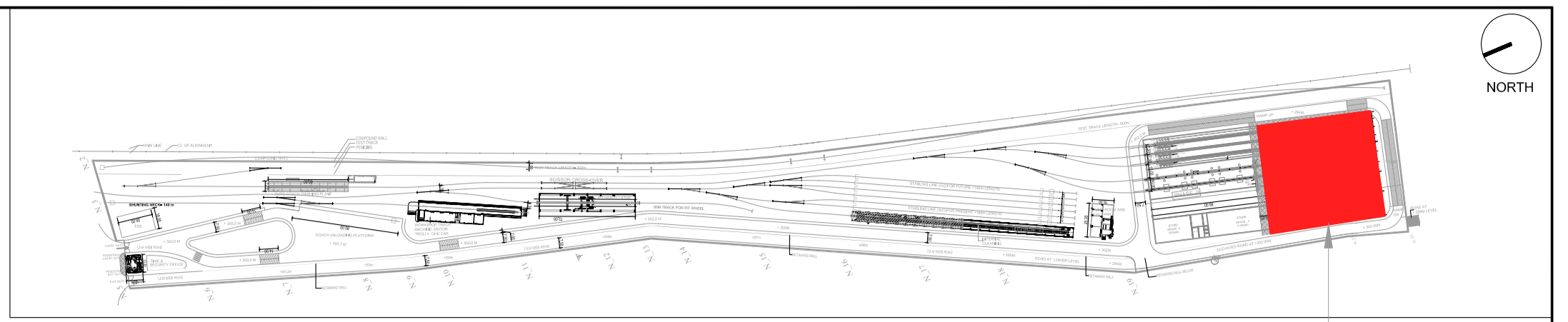


PILE LAYOUT PLAN
 NOTE:- ALL COLUMN SIZE ARE (600X1000) UNLESS NOTED OTHERWISE
 C1 = 1500X1500



BEAM SCHEDULE	
BEAM MARKED	BEAM SIZE
B1	(600X750)

SCHEDULE OF PILE							
SR. NO.	COLUMN NO.	PILE DIA. (m)	PILE LENGTH (m)	REINFORCEMENT DETAILS			REMARKS
				BAR MARKED			
				a1	a2	a3	
1.	PC1,PC2,PC3 PC4,PC5	1.00	25	16-16 NOS.	8@190c/c	16@95c/c	

GENERAL NOTES:
 1. ALL DIMENSIONS ARE IN MILLIMETERS & LEVELS ARE IN METERS UNLESS OTHERWISE STATED.
 2. ALL DIMENSIONS ARE TO BE READ AND NOT MEASURED.
 3. ANY DISCREPANCIES MUST BE BROUGHT TO THE NOTICE OF THE DMRC BEFORE EXECUTION OF WORK AT SITE.
 4. THIS DRAWING MUST BE READ IN CONJUNCTION WITH ALL RELEVANT ARCHITECTURAL, STRUCTURAL, PLUMBING & FIRE FIGHTING, ELECTRICAL AND TRAFFIC MANAGEMENT DRAWINGS.
 5. ALL DOOR/WINDOW CILL & LINTEL LEVELS ARE MEASURED FROM MAIN FLOOR FINISHED LEVELS.

REVISIONS					
REV	DESCRIPTION	DRN.	CHD.	VER.	DATE

APPROVAL BY NMRCL			
ARCHITECTURE	AM/Gr	DY CA-II	CA
STRUCTURE	AM/Design	DY CE/DESIGN	ED/Technical
ELECTRICAL	AEME&M	DG/ME	CEE/UD
CIVIL	AGM/Civil	CE/General	
	AGM/Tele	C/STE	
	Fire Officer		

Certified that this document has been designed and checked in accordance with DDC Quality Assurance Plan.

OFFICE OF DRAWING ORIGIN:
FOUNTAINHEAD
 ARCHITECTURE INTERIOR & LANDSCAPE
 C-9/148, VASANT KUNJ, NEW DELHI
 PH: 011-26891534, 26124540, 26124543. FAX: 26898459
 Email: office@studiofountainhead.com

Authorised Signatory for DDC.
 N1DDC D-01 Project Manager

STRUCTURAL CONSULTANT:
LKT Engineering Consultants Ltd.
 63/12A, 1st floor, Main Rama road, Najafgarh road, industrial area, opposite Kirti nagar Metro Station, New Delhi-110015, Phone:- 011-4565814-18
 info@lktengineering.com
 http://www.lktengineering.com

NAGPUR METRO RAIL CORPORATION LTD.
 Metro House, 28/2, Anand Nagar, C K Naidu Road, Civil Lines, Nagpur - 440001

N1DDC D-01

ROLLING STOCK DEPOT AT MIHAN
 DRAWING TITLE: MAIN BUILDING - PILE LAYOUT PLAN
 DRAWING NO: N1DDCD01-DPOM-T-ST-2221
 REV: R0

DATE: 06.07.2016	SCALE: 1:200	STATUS: FOR TENDER
DRAWN BY: SOMDUTT	CHECKED BY: H.S	VERIFIED BY: L.K.Tyagi

STRUCTURAL