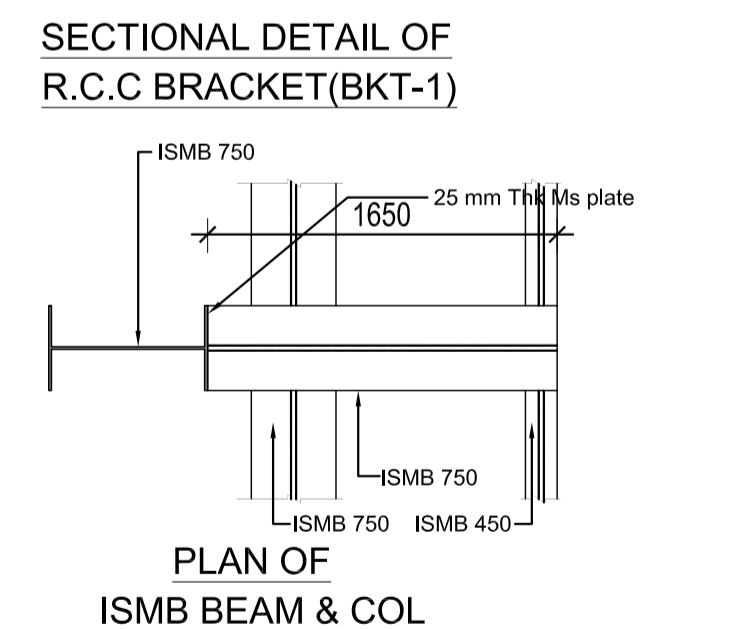
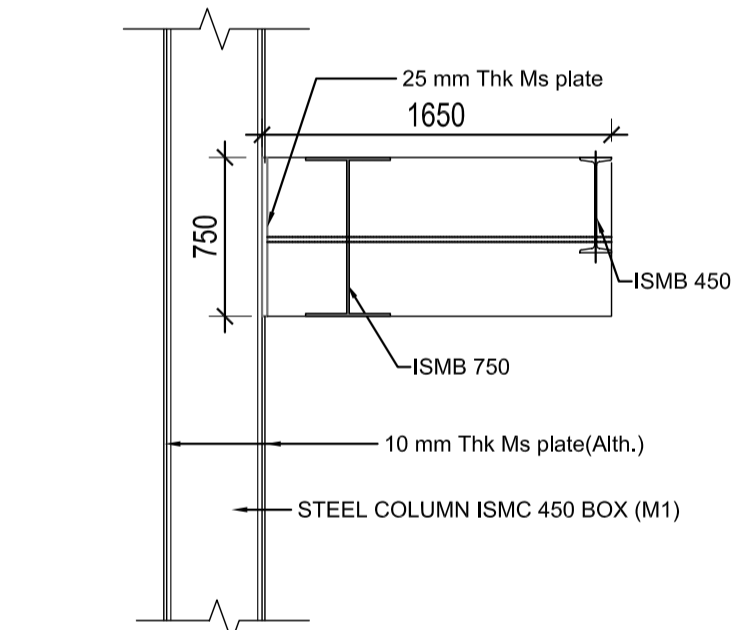
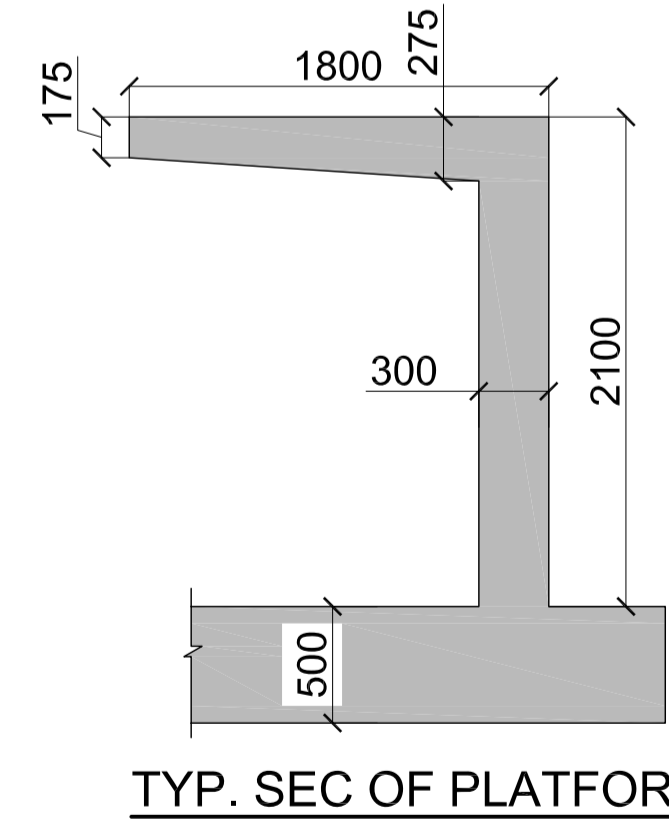


**PILE REINFORCEMENT SCHEDULE**

SR. NO.	PILE CAP NO.	PILE DIA. (mm)	PILE LENGTH FROM CUTOFF LVL (m)	REINFORCEMENT DETAILS						REMARKS
				BAR MARKED						
				a1	a1a	a1b	a1c	a2	a3	
1.	PC1	800	12	16 $\Phi$ -04Nos.	12 $\Phi$ -04Nos.	-----	-----	$\Phi$ 8@190c/c	$\Phi$ 8@150c/c	



GENERAL NOTES:  
 1. ALL DIMENSIONS ARE IN MILLIMETERS & LEVELS ARE IN METERS UNLESS OTHERWISE STATED.  
 2. ALL DIMENSIONS ARE TO BE READ AND NOT MEASURED.  
 3. ANY DISCREPANCIES MUST BE BROUGHT TO THE NOTICE OF THE DMRC BEFORE EXECUTION OF WORK AT SITE.  
 4. THIS DRAWING MUST BE READ IN CONJUNCTION WITH ALL RELEVANT ARCHITECTURAL, STRUCTURAL, PLUMBING & FIRE FIGHTING, ELECTRICAL AND TRAFFIC MANAGEMENT DRAWINGS.  
 5. ALL DOOR/WINDOW CILL & LINTEL LEVELS ARE MEASURED FROM MAIN FLOOR FINISHED LEVELS.

REVISIONS					
REV	DESCRIPTION	DRN.	CHD.	VER.	DATE

APPROVAL BY NMRCL			
ARCHITECTURE	AM/Mgr	DY CA-III	CA
STRUCTURE	AM/Design	DY CE/DESIGN	ED/Technical
ELECTRICAL	AEME&M	DG/ME	CEE/UD
CIVIL	AGM/Civil	CE/General	
	AGM/Tele	C/STE	
	Fire Officer		

Certified that this document has been designed and checked in accordance with DDC Quality Assurance Plan.

OFFICE OF DRAWING ORIGIN:  
**FOUNTAINHEAD**  
 ARCHITECTURE INTERIOR & LANDSCAPE  
 C-9/148, VASANT KUNJ, NEW DELHI  
 PH: 011-26891534, 26124540, 26124543. FAX: 26898459  
 Email: office@studiofountainhead.com

Authorised Signatory for DDC.  
 N1DDC D-01 Project Manager

STRUCTURAL CONSULTANT:  
**LKT Engineering Consultants Ltd.**  
 63/12A, Hind floor, Main Rama road, Najafgarh road, industrial area, opposite Kirti nagar Metro Station, New Delhi-110015, Phone: 011-4556814-18  
 info@lktengineering.com  
 http://www.lktengineering.com

**NAGPUR METRO RAIL CORPORATION LTD.**  
 Metro House, 28/2, Anand Nagar, C K Naidu Road, Civil Lines, Nagpur - 440001

**N1DDC D-01**

ROLLING STOCK DEPOT AT MIHAN

DRAWING TITLE: INTERNAL CLEANING - FRAMING PLANS

DRAWING NO: N1DDCD01-DPOM-T-ST-2701

DATE: 07.07.2016

DRAWN BY: SANJAY

SCALE: 1:100

CHECKED BY: H.S

STATUS: FOR TENDER

VERIFIED BY: L.K.TYAGI

REV: R0

STRUCTURAL

This drawing must not be either loaned, copied or otherwise reproduced in whole or in part or used for any purpose without the prior written permission of DMRC.