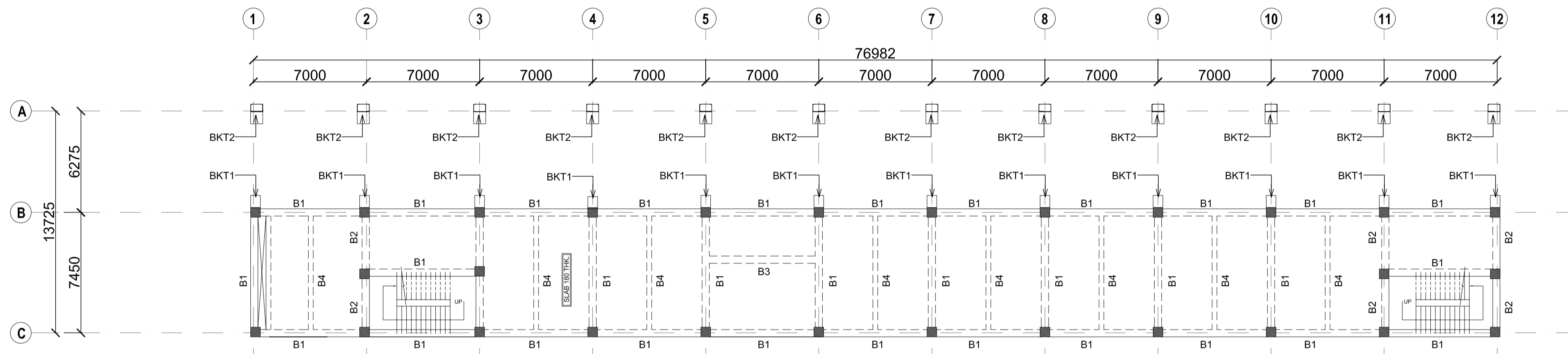


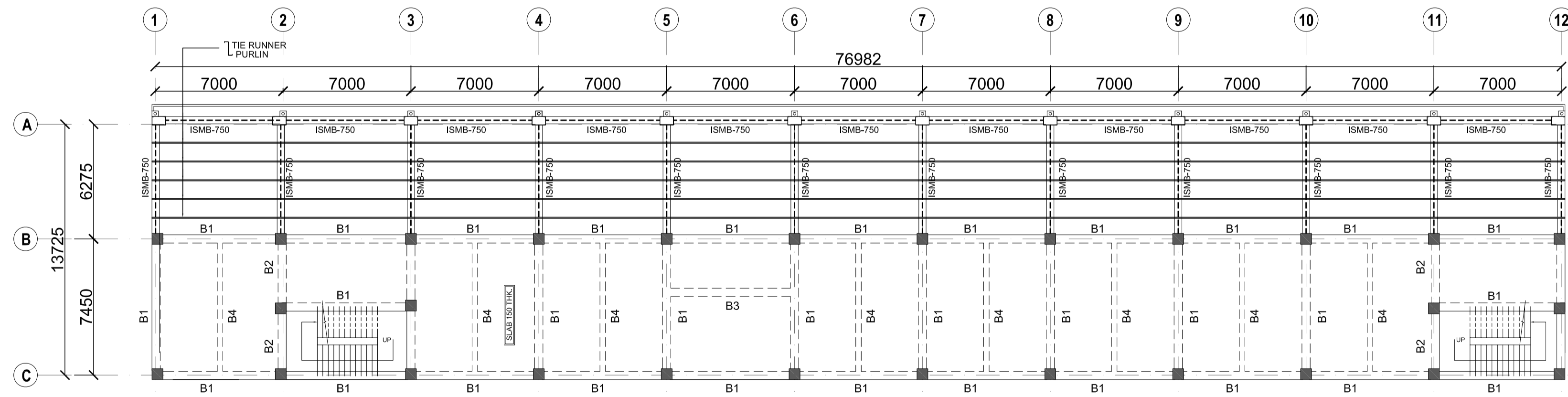
GROUND FLOOR PLAN FRAMING PLAN

NOTE:- ALL COLUMN SIZE ARE (600X600)
NOTE:- PEDESTAL (P1) 1000X1000 UPTO PLINTH LVL.



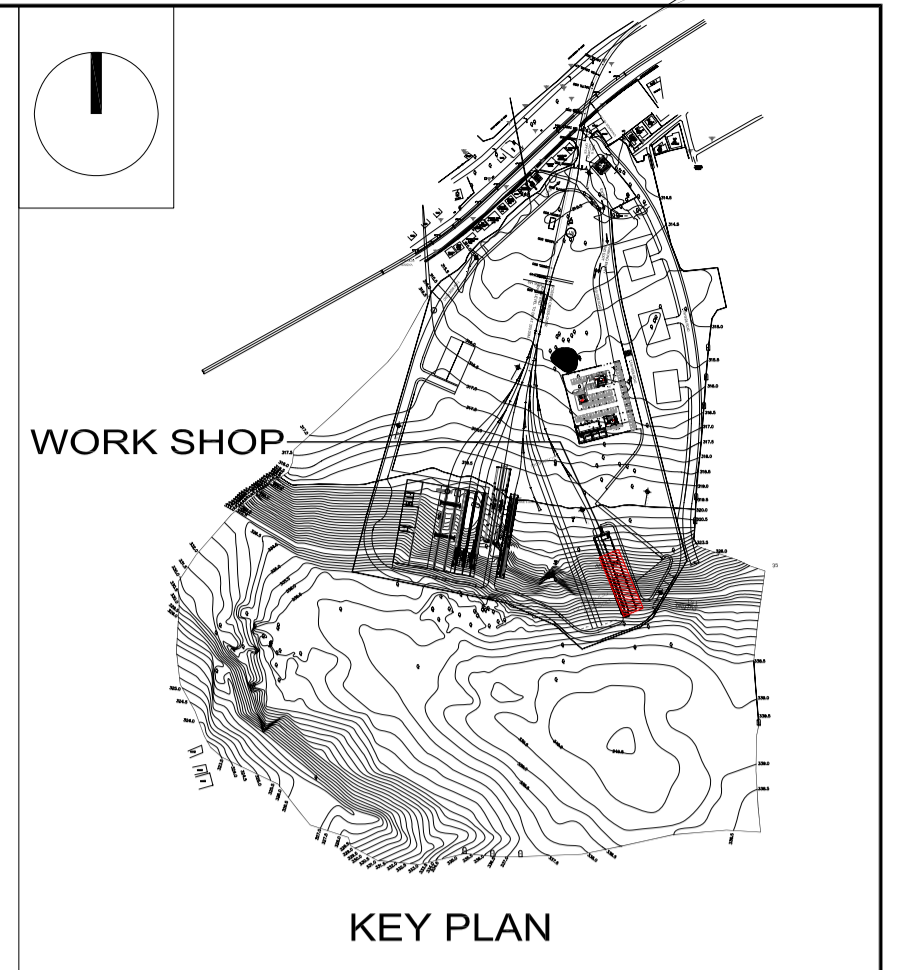
FIRST FLOOR PLAN FRAMING PLAN

NOTE:- ALL COLUMN SIZE ARE (600X600)



TERRACE FLOOR PLAN FRAMING PLAN

NOTE:- ALL COLUMN SIZE ARE (600X600)

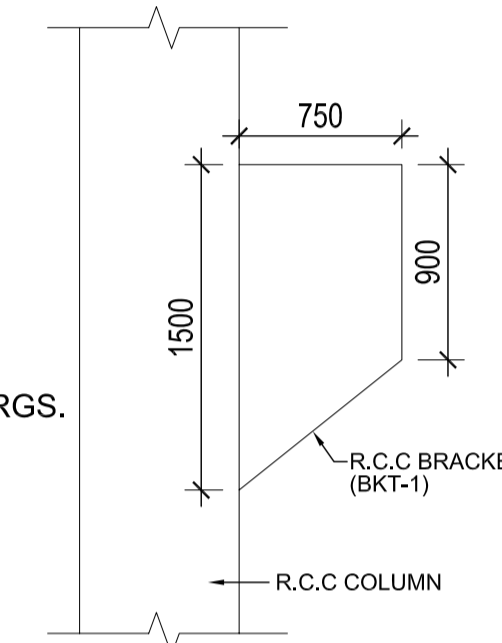


NOTE:-
* ALL COLUMN & BEAMS SIZES ARE TENTATIVE
* ALL LEVEL SHOULD BE CONFIRM WITH ARCH. DRGS.

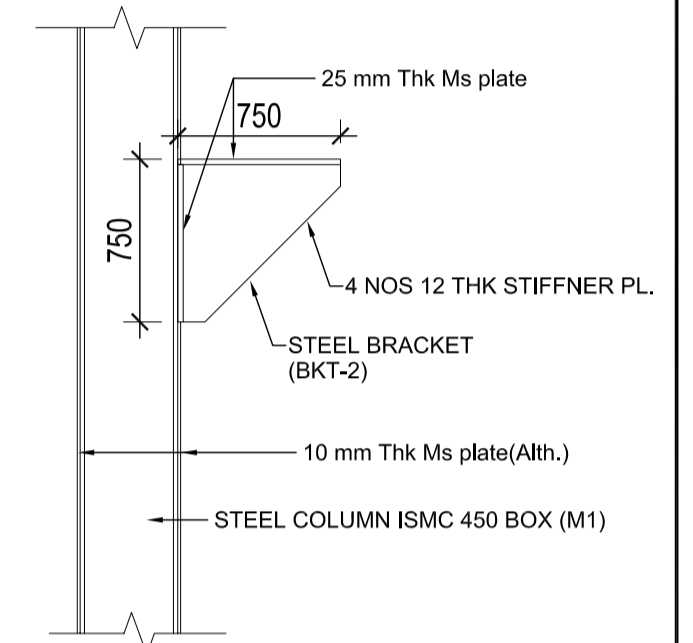
BEAM SCHEDULE	
BEAM MARKED	BEAM SIZE
B1,B2	(450X600)

NOTE:-
* ALL COLUMN & BEAMS SIZES ARE TENTATIVE
* ALL LEVEL SHOULD BE CONFIRM WITH ARCH. DRGS.

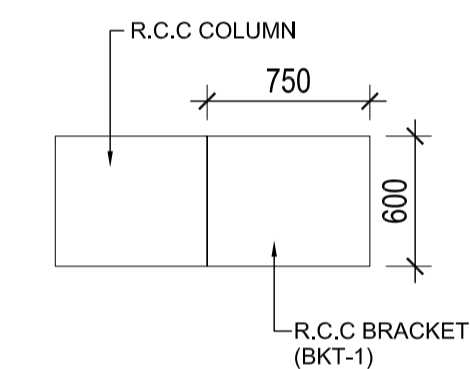
BEAM SCHEDULE	
BEAM MARKED	BEAM SIZE
B1,B2,B3	(450X600)
B4	(300X600)



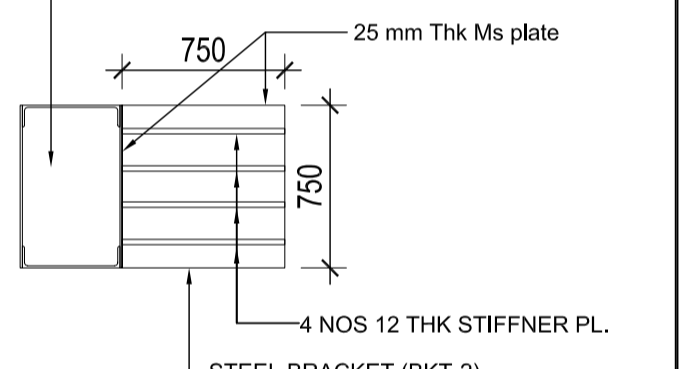
SECTIONAL DETAIL OF R.C.C BRACKET (BKT-1)



SECTIONAL DETAIL OF R.C.C BRACKET (BKT-2)



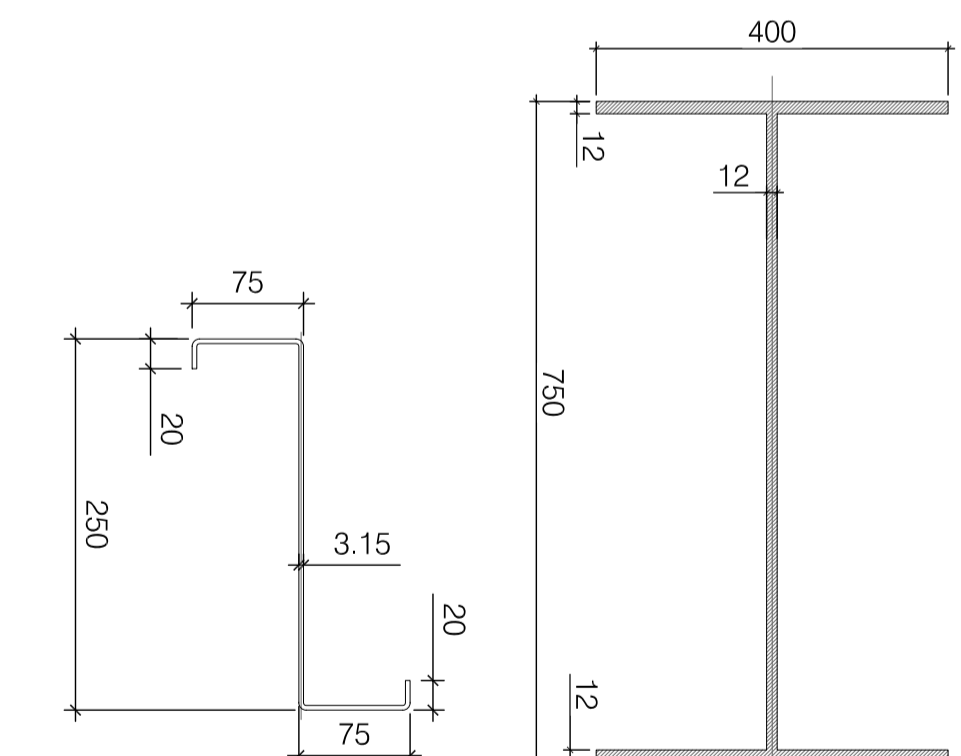
PLAN OF R.C.C BRACKET (BKT-1)



PLAN OF R.C.C BRACKET (BKT-2)

NOTE:-
* ALL COLUMN & BEAMS SIZES ARE TENTATIVE
* ALL LEVEL SHOULD BE CONFIRM WITH ARCH. DRGS.

BEAM SCHEDULE	
BEAM MARKED	BEAM SIZE
B1,B2,B3	(450X600)
B4	(300X600)



TYP. PURLIN SECTION

TYP. SECTION OF ISMB 750

GENERAL NOTES:

- ALL DIMENSIONS ARE IN MILLIMETERS & LEVELS ARE IN METERS UNLESS OTHERWISE STATED.
- ALL DIMENSIONS ARE TO BE READ AND NOT MEASURED.
- ANY DISCREPANCIES MUST BE BROUGHT TO THE NOTICE OF THE DMRC BEFORE EXECUTION OF WORK AT SITE.
- THIS DRAWING MUST BE READ IN CONJUNCTION WITH ALL RELEVANT ARCHITECTURAL, STRUCTURAL, PLUMBING & FIRE FIGHTING, ELECTRICAL AND TRAFFIC MANAGEMENT DRAWINGS.
- ALL DOOR/WINDOW CILL & LINTEL LEVELS ARE MEASURED FROM MAIN FLOOR FINISHED LEVELS.

REFERENCE DRAWINGS	
Drg. No.	Description

REVISIONS					
REV	DESCRIPTION	DRN.	CHD.	VER.	DATE

APPROVAL BY NMRCL			
ARCHITECTURE	AM/Mgr	DY CA-III	CA
STRUCTURE	AM/Design	DY CE/DESIGN	ED/Technical
ELECTRICAL	AEME&M	DGM/E	CEE/UD
CIVIL	AGM/Civil	CE/General	
	AGM/Tele	CSTE	
	Fire Officer		

Certified that this document has been designed and checked in accordance with DDC Quality Assurance Plan.

OFFICE OF DRAWING ORIGIN:
FOUNTAINHEAD
ARCHITECTURE INTERIOR & LANDSCAPE
C-9/9148, VASANT KUNJ, NEW DELHI
PH: 011-26891534, 26124540, 26124543. FAX: 26898459
Email: office@studiofountainhead.com

Authorised Signatory for DDC.
N1DDC D-01 Project Manager

STRUCTURAL CONSULTANT:
LKT Engineering Consultants Ltd.
63/12A, 1st floor, Main Rama road, Najafgarh road, industrial area, opposite Kirti nagar Metro Station, New Delhi-110015, Phone: 011-4565814-18
info@lktengineering.com
http://www.lktengineering.com

NAGPUR METRO RAIL CORPORATION LTD.
Metro House, 28/2, Anand Nagar, C K Naidu Road, Civil Lines, Nagpur - 440001

N1DDC D-01

ROLLING STOCK DEPOT AT HINGNA
DRAWING TITLE: WORK SHOP- FRAMING PLAN
DRAWING NO: N1DDCD01-DPOH-T-ST-2501 REV: R0

DATE: 08.07.2016	SCALE: 1:200	STATUS: FOR TENDER
DRAWN BY: HIMANSHU TYAGI	CHECKED BY: H.S	VERIFIED BY: L.K.TYAGI

STRUCTURAL

This drawing must not be either loaned, copied or otherwise reproduced in whole or in part or used for any purpose without the prior written permission of DMRC.